



# Installation and Troubleshooting Guide

All rights reserved. Reproduction or use of content, in any manner, without express written permission by CDI Electronics, Inc., is prohibited.

## CDI P/N: 136-5029-4

Replaces P/N's : 475029, F475029 and 300F475029

**Warning!** This product is designed for installation by a professional marine mechanic. CDI Electronics cannot be held liable for injury or damage resulting from improper installation, abuse, neglect or misuse of this product.

**NOTICE:** This trigger has been redesigned to use only five wires as opposed to the 8 wires used on the original design. This allows the use of heavier gage wire, resulting in better durability. Connect the black wire to engine ground.

### Installation

1. Disconnect the trigger and stator wires.
2. Remove the flywheel.
3. Remove the stator – Use extra care handling the stator, due to it being very fragile. The coating on the charge winding is very easy to break (Like an eggshell). Once the coating on the charge windings is broken, the stator will have to be replaced. NOTE: At this time it would be a good idea to check the outer flywheel magnet to make sure it still tightly bonded.
4. Disconnect the trigger linkage and remove the trigger.
5. Install the new trigger and reconnect the linkage.
6. Using extreme care, reinstall the stator.
7. Connect the trigger wires.
8. Connect the black wire to engine ground.
9. Reconnect the stator wires.
10. Install the flywheel according to the service manual.

#### 4 Cylinder Connections:

##### Pack #1 (Firing #1 and #2 cylinders)

Trigger: Orange (White/Orange)	Pack: White/Orange Stripe
Green (White/Yellow Stripe)	White/Yellow Stripe
Red (White/Red)	White/Red stripe
White/Green Stripe	White/Green Stripe
Stator: Yellow (Brown/Yellow Stripe)	Pack: Brown/Yellow Stripe
Blue (Brown/Blue Stripe)	Pack: Brown/Blue Stripe
Coil #1: White (Orange/Blue Stripe)	Pack: Orange/Blue Stripe
Coil #2: White (Orange/Blue Stripe)	Pack: Blue/Red stripe

##### Pack #2 (Firing #3 and #4 cylinders)

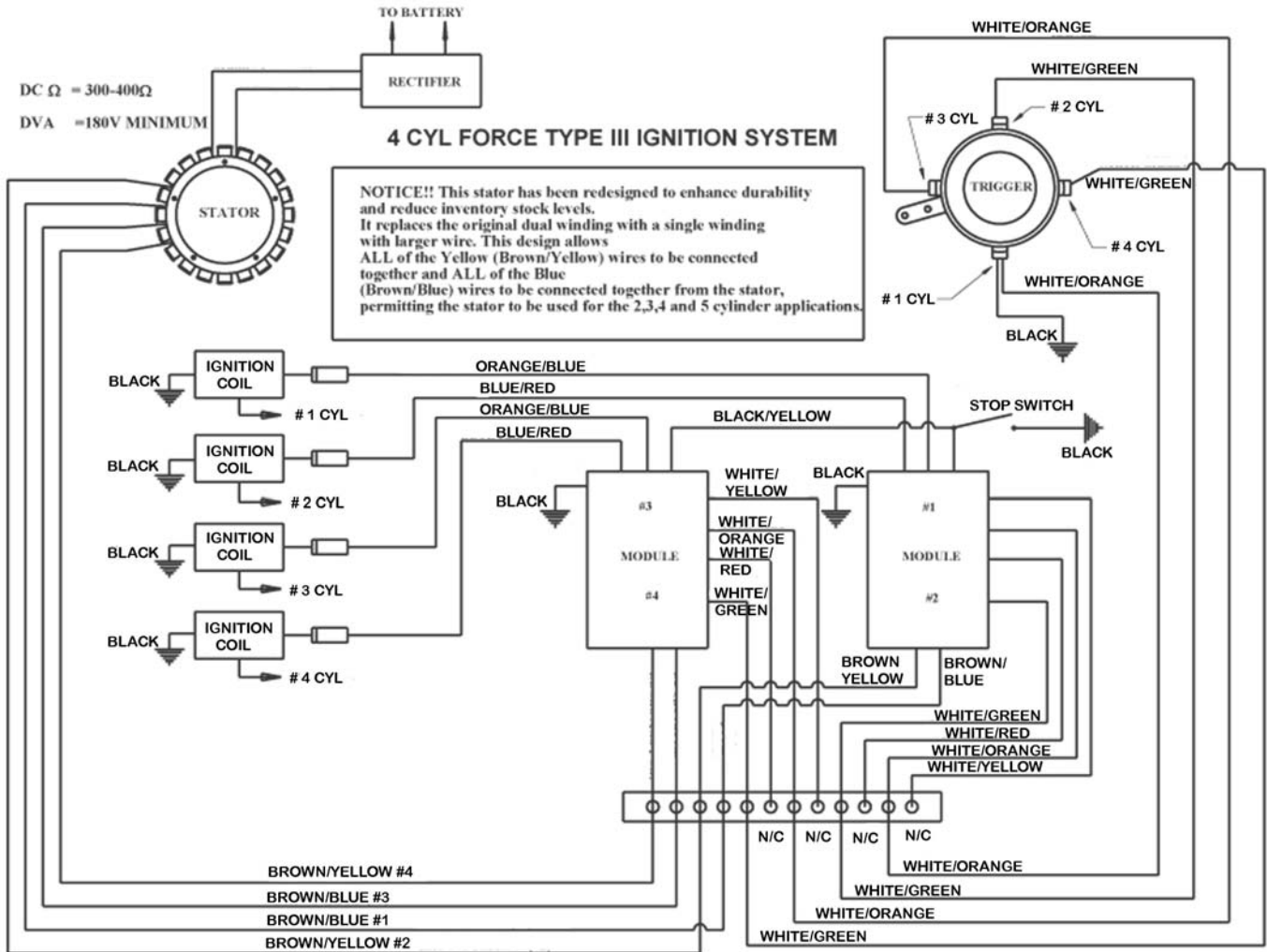
Trigger: Orange (White/Orange)	Pack: White/Orange Stripe
Green (White/Yellow Stripe)	White/Yellow Stripe
Red (White/Red)	White/Red stripe
White/Green Stripe	White/Green Stripe
Stator: Yellow (Brown/Yellow Stripe)	Pack: Brown/Yellow Stripe
Blue (Brown/Blue Stripe)	Pack: Brown/Blue Stripe
Coil #3: White (Orange/Blue Stripe)	Pack: Orange/Blue Stripe
Coil #4: White (Orange/Blue Stripe)	Pack: Blue/Red stripe

#### Color Code Cross Reference

FUNCTION	OLD	NEW
Trigger	Orange	White/Orange Stripe
Trigger	Green	White/Yellow Stripe
Trigger	Red	White/Red Stripe
Trigger	White/Green Stripe	White/Green Stripe
Stator	Blue	Brown/Blue Stripe
Stator	Yellow	Brown/Yellow Stripe
Ignition Coil	White	Orange/Blue
Stop (Kill) Circuit	White (Brown)	Black/Yellow

# Installation and Troubleshooting Guide

All rights reserved. Reproduction or use of content, in any manner, without express written permission by CDI Electronics, Inc., is prohibited.



Thank you for using CDI Electronics

01/16/2008